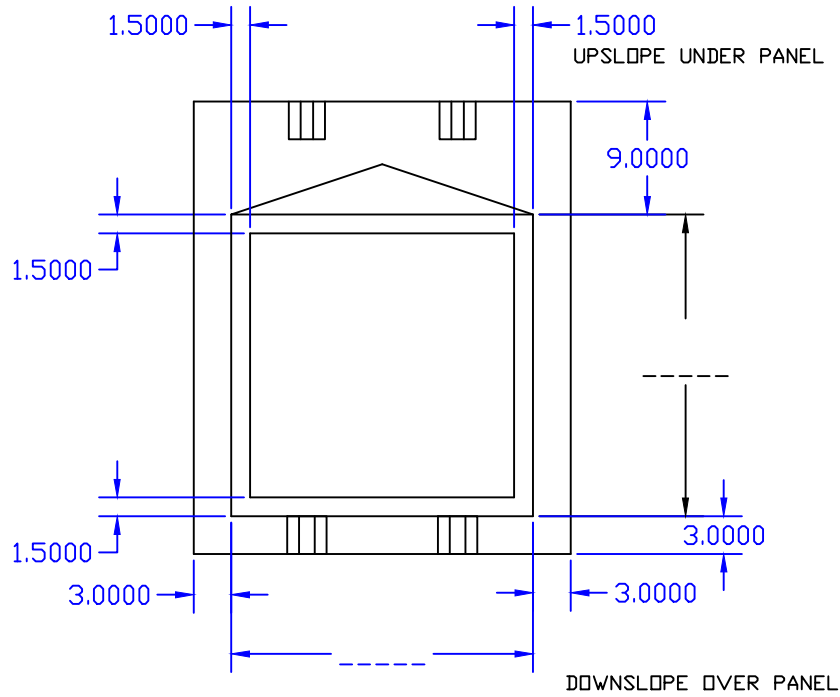


MODEL CMB1
HIGH RIB
SLOPE MOUNT
OVER/OVER

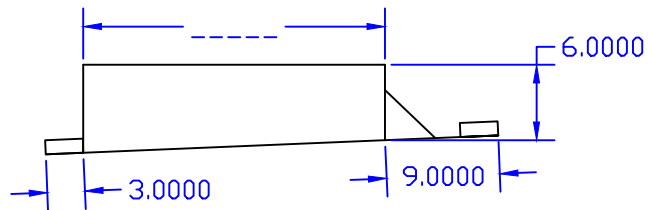
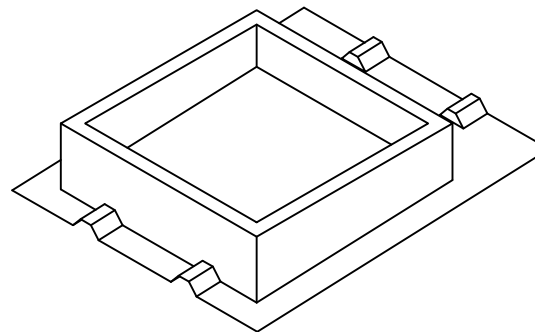
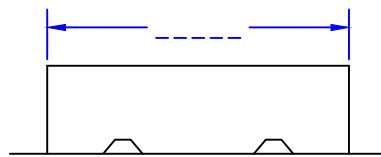
SPECIFICATIONS:

- .080 ALUMINUM
- PITCHED CORRECTED TO PROVIDE A LEVEL TOP
- 6" HEIGHT
- 1-1/2" TOP FLANGE
- ALL WELDED CONSTRUCTION
- UPSLOPE FLANGE "UNDER" CONTOURS AND CRICKET
- DOWNSLOPE "OVER" CONTOURS
- SIDE FLANGES EXTEND TO NEXT MAJOR RIB WITH CONTINUOUS SEAM CLIP CAPS
- 1" INSULATION



OPTIONS:

- ___ .14 GAUGE GALVANIZED CONSTRUCTION
- ___ .18 GAUGE GALVANIZED CONSTRUCTION
- ___ POWDER COAT FINISH
- ___ SPECIAL HEIGHT
- ___ DAMPER SHELF
- ___ MASTIC
- ___ BUTYL SEALANT
- ___ PREMIUM FASTENERS
- ___ SUB-FRAMING



CUSTOM CURB
1585 LOS ANGELES AVE
SATICOY, CA 93004
(805) 647-1200
jack@customcurbinc.com

JOB NAME:	ROOF PANEL:	MATERIAL: .080 ALUMINUM	
QUOTE #	ROOF PITCH:	QTY:	DATE: