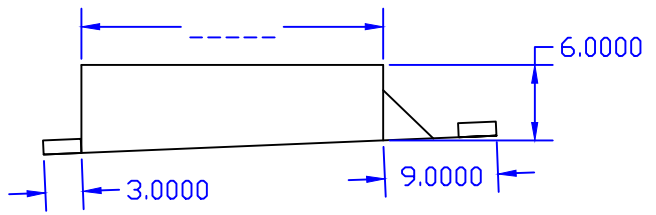
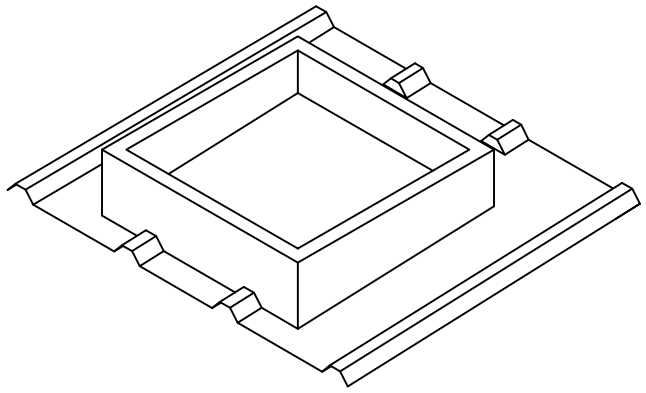
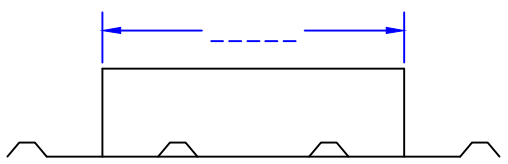
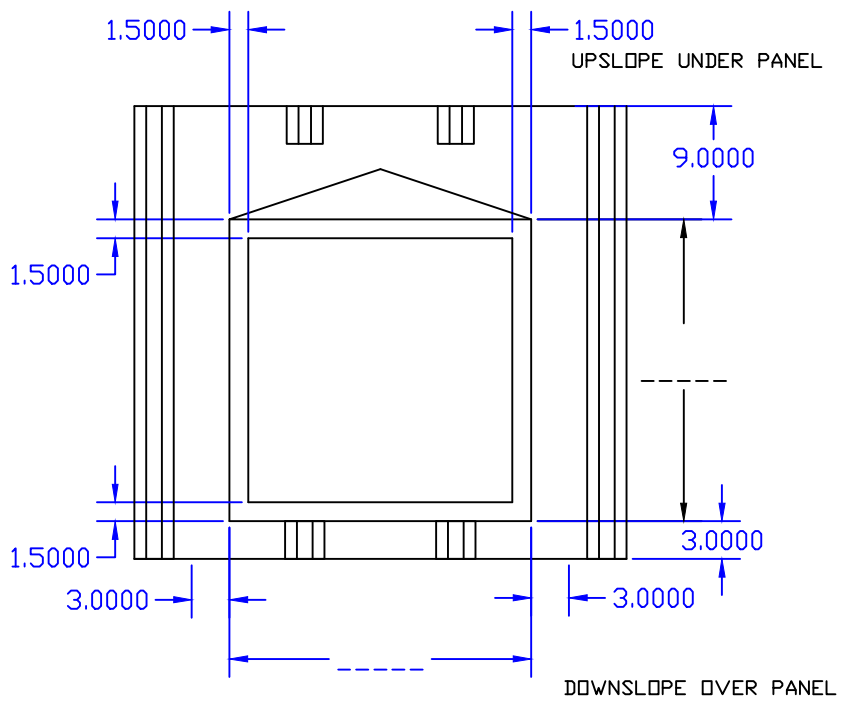


MODEL CMB7
 HIGH RIB
 LAY-OVER
 UNDER/OVER

SPECIFICATIONS:

- .080 ALUMINUM
- PITCHED CORRECTED TO PROVIDE A LEVEL TOP
- 6" HEIGHT
- 1-1/2" TOP FLANGE
- ALL WELDED CONSTRUCTION
- UPSLOPE FLANGE "UNDER" CONTOURS AND CRICKET
- DNWSLOPE "OVER" CONTOURS
- SIDE FLANGES EXTEND TO NEXT MAJOR RIB WITH CONTINUOUS SEAM CLIP CAPS
- 1" INSULATION



OPTIONS:

- ___14 GAUGE GALVANIZED CONSTRUCTION
- ___18 GAUGE GALVANIZED CONSTRUCTION
- ___POWDER COAT FINISH
- ___SPECIAL HEIGHT
- ___DAMPER SHELF
- ___MASTIC
- ___BUTYL SEALANT
- ___PREMIUM FASTENERS
- ___SUB-FRAMING

CUSTOM CURB
 1585 LOS ANGELES AVE
 SATICOY, CA 93004
 (805) 647-1200
 jack@customcurbinc.com

JOB NAME:	ROOF PANEL:	MATERIAL: .080 ALUMINUM	
QUOTE #	ROOF PITCH:	QTY:	DATE: