

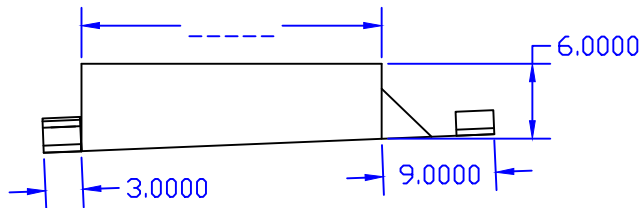
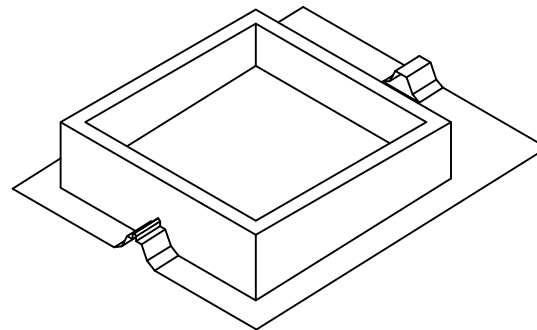
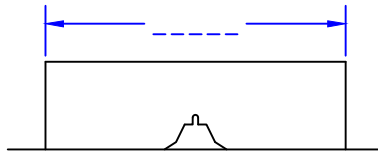
MODEL CMB7
STANDING SEAM
UNDER/OVER

SPECIFICATIONS:

- .080 ALUMINUM
- PITCHED CORRECTED TO PROVIDE A LEVEL TOP
- 6" HEIGHT
- 1-1/2" TOP FLANGE
- ALL WELDED CONSTRUCTION
- UPSLOPE FLANGE "UNDER" CONTOURS AND CRICKET
- DOWNSDLOPE "OVER" CONTOURS
- 3" SIDE FLANGES
- 1" INSULATION

OPTIONS:

- ___14 GAUGE GALVANIZED CONSTRUCTION
- ___18 GAUGE GALVANIZED CONSTRUCTION
- ___POWDER COAT FINISH
- ___SPECIAL HEIGHT
- ___WIDE FLANGES
- ___DAMPER SHELF
- ___MASTIC
- ___BUTYL SEALANT
- ___PREMIUM FASTENERS
- ___SUB-FRAMING



CUSTOM CURB
1585 LOS ANGELES AVE
SATICOY, CA 93004
(805) 647-1200
jack@customcurbinc.com

JOB NAME:	ROOF PANEL:	MATERIAL: .080 ALUMINUM	
QUOTE #	ROOF PITCH:	QTY:	DATE: