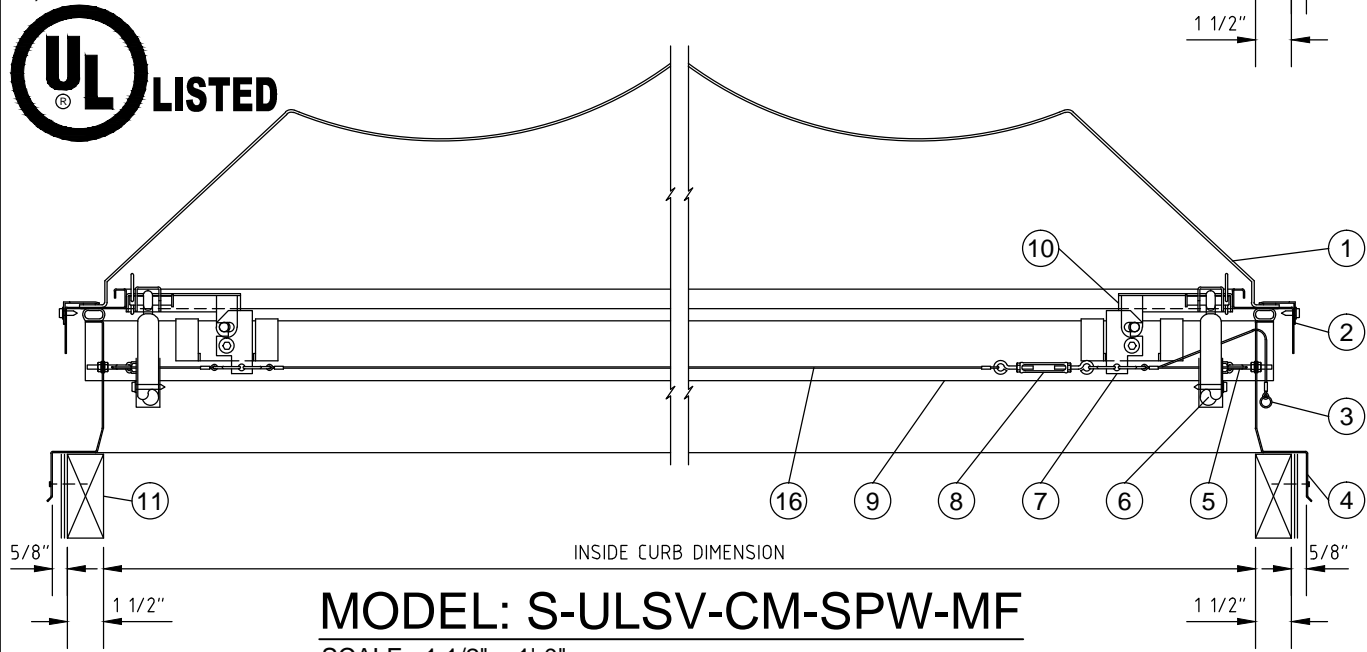
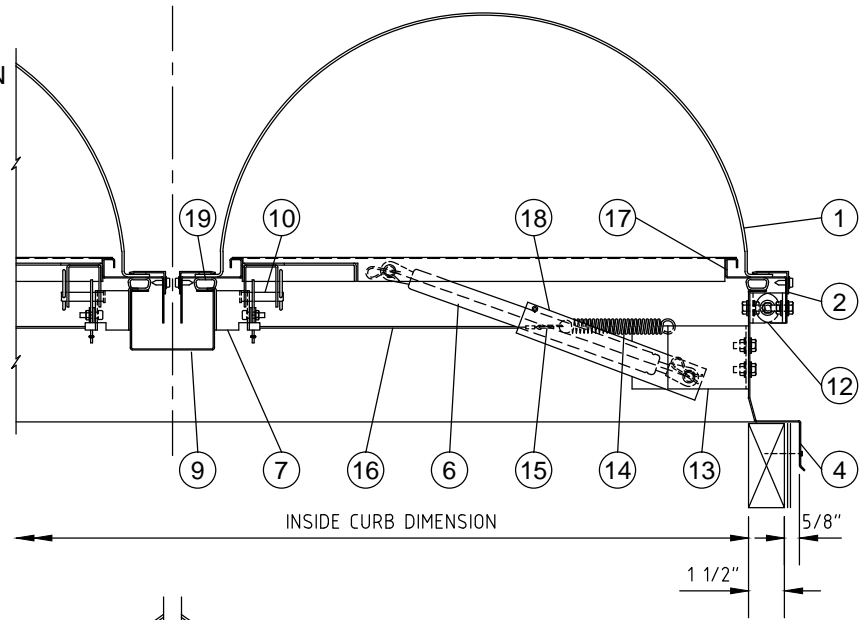


- 1) SINGLE SKYPRO ARCHED DOME
- 2) ALUM. DOME CAP
- 3) EXTERIOR MANUAL RELEASE SHOWN
- 4) G.I. STEEL CURB FRAME
- 5) EYEBOLT & PULLEY ASSEMBLY
- 6) LIFTING SHOCK
- 7) LATCH ASSEMBLY
- 8) OPEN EYE TURNBUCKLE
- 9) G.I. STEEL GUTTER
- 10) STRIKER ASSEMBLY
- 11) 2X WIDE (1 1/2") CURB BY OTHERS
- 12) G.I. STEEL HINGE ASSEMBLY
- 13) LOWER SHOCK BRACKET
- 14) 0.080" TENSION SPRING
- 15) FUSIBLE LINK - SPECIFY TEMP
- 16) 0.060" 7 STRAND STEEL CABLE
- 17) G.I. STEEL SHOCK LOCK CHANNEL
- 18) G.I. STEEL DOME FRAME
- 19) EPDM BULB GASKET



**MODEL: S-ULSV-CM-SPW-MF**

SCALE : 1 1/2" = 1'-0"

COMPLIES WITH UL 793



805 - 889 - 0747

**FRAME FINISH**

G90 GALVANIZED

**FUSIBLE LINK TEMP. OPTIONS**

165° UL/FM    286° UL/FM    OTHER  
 212° UL/FM    370° UL/FM \_\_\_\_\_

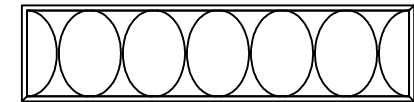
**MANUAL RELEASE OPTIONS**

INSIDE RELEASE                       BOTH  
 OUTSIDE RELEASE

**SKYPRO SINGLE GLAZING**

SKYPRO WHITE POLYCARBONATE (SPW)

**SKYPRO SKYWAVE DOME**



PLAN VIEW



SIDE ELEVATION

MODEL	INSIDE CURB DIM.	QTY.
SQUARE		
4848	48" x 48"	
6060	60" x 60"	
RECTANGULAR		
6072	60" x 72"	
4872	48" x 72"	
4896	48" x 96"	

**UL CURB MOUNT STEEL FRAME SKYPRO SINGLE DOME DUAL LID SMOKE VENT**

UL LISTING #:

**E472388**

**UL 10 PSF**

PROJECT:

PROJECT ADDRESS:

APPROVED BY: \_\_\_\_\_ DATE: \_\_\_\_\_

CUSTOMER:

CUSTOMER PHONE:

REV. #    JOB #:    DATE:    DRAWING #:

**SKUL-009**